

Terminal Type RTD Isolated Transducer (AC Power)

MODEL TZ-1AA

NEW!



Input Specification Pt100Ω 3-wire type (C1604-1997)

Code No.	Input signal	Input allowable range
0	Pt -50 to 50°C	-50 to 150%
1	Pt 0 to 100°C	
2	Pt 0 to 200°C	
3	Pt 0 to 300°C	
4	Pt -20 to 80°C	
Y	Other than the above	

For Code No. Y

Limit of specifications
 Pt input : Less than 800°C and more than -50°C
 Minimum span : Less than 850°C and more than 50°C
 (Temperature characteristic: ±0.03 %F.S/°C for a span of less than 100°C)

Output Specification

Code No.	Output signal	Allowable Load resistance
0	0 to 5V DC	More than 2kΩ
1	1 to 5V DC	
2	0 to 10V DC	More than 4kΩ
3	10 to 10V DC	Negative output: more than 10kΩ
4	-2 to 2VDC	More than 2kΩ Negative output: more than 10kΩ
5	-2.5 to 2.5VDC	
6	-5 to 5VDC	More than 2kΩ
7	0 to 4VDC	
A	4 to 20mADC	Less than 550Ω
B	0 to 20mADC	
Y	Other than the above	

For Code No. Y

Limit of specifications
 Voltage output : Less than +15 VDC and more than -12 VDC
 Minimum span : Less than +27 VDC and more than 0.06 VDC
 (Road resistance : 10kΩ at the output exceeding 10V, and a negative output)
 (Base accuracy : ±0.15 %F.S and temperature characteristic : ±0.03 %F.S/°C for a span of less than 1V)
 Current output : Less than +20 mADC and more than 0 mADC
 Minimum span : Less than +20 mADC and more than 1 mADC
 Outputs can be reversed for both voltage and current outputs.

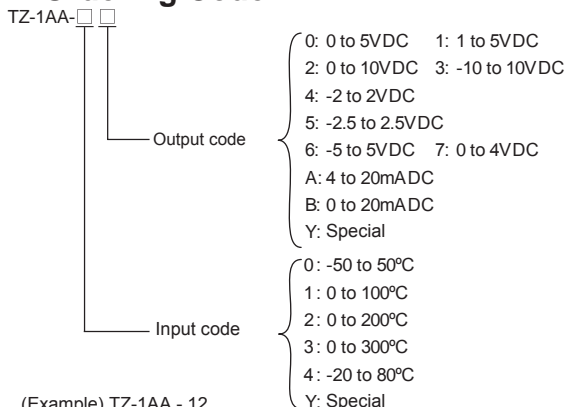
General Specifications

Base Accuracy : ±0.1 %F.S (25±2°C) ±0.2%F.S at more than 500°C
 Power supply variation : ±0.06 %F.S
 Load resistance variation : ±0.06 %F.S
 Temperature characteristic : ±0.02 %F.S/°C
 Response time : 50msec (TYP)(0→90%)
 Detect disconnection : (135±10 %F.S)
 Front adjustments : ±5% for zero and span
 Insulation resistance : Between input and output/power supply ; More than 100MΩ at 500 VDC
 Dielectric strength : Between input and output/power supply ; For 1 min. at 2000VAC
 Power supply voltage : 100 to 240VAC ±10 %
 Consuming current : Less than 35mA (At current output 100VAC)
 Less than 30mA (At voltage output 100VAC)
 Vibration resistance : Frequency : 10 to 55Hz ; amplitude (half) : 0.15mm to 10 sweeps of 5min each in X, Y and Z directions
 Operating ambient temperature : -5 to 50°C
 Operating ambient humidity : Less than 90 %RH (No-condensing)
 Storage temperature : -10 to 70°C
 Storage humidity : Less than 60%RH (No-condensing)
 Case material : ABS resin (Black) 94V-2
 Weight : Approx. 80g

Features

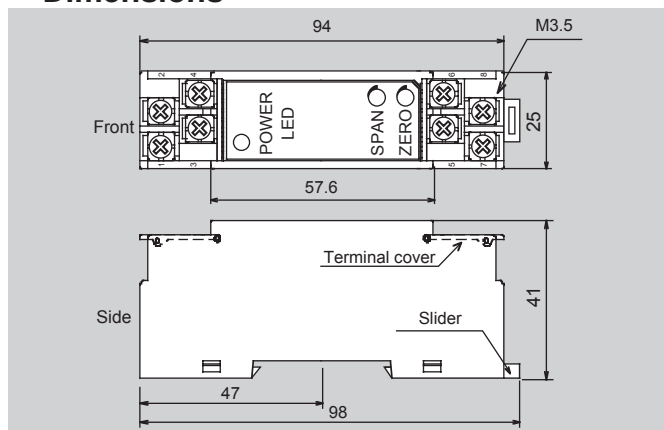
- AC power supply 90 VAC to 240 VAC
- DIN rail mounting
- Input/Output/Power supply isolated

Ordering Code

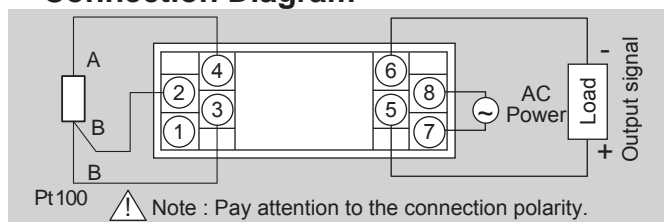


(Example) TZ-1AA - 12

Dimensions



Connection Diagram



Block Diagram

